

APPLICATION

For loading and unloading Amsco® 430LS Sterilizers and transferring goods to and from processing areas.

DESCRIPTION

Loading Car

All welded frame with modular shelves accommodates numerous load sizes and configurations. Load retaining side gates and bearing-mounted wheels are constructed of an easy-to-clean, corrosion-resistant non-blackening alloy. Easy-to-remove side gates fit into slots along frame of loading car body.

Loading car is available in the following models:

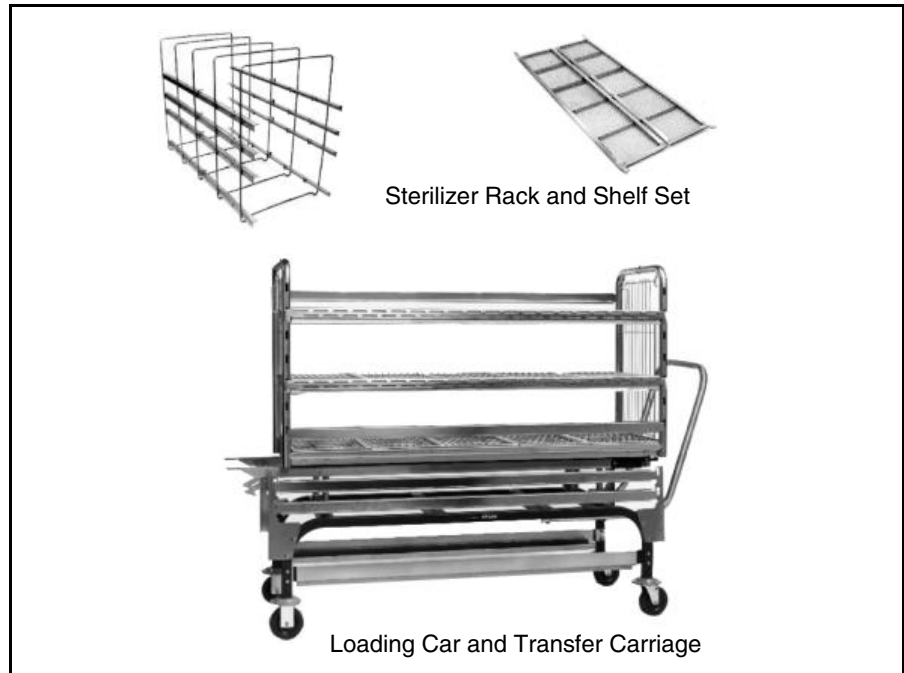
- 39" (991 mm)
- 49" (1245 mm)
- 61" (1549 mm).

Shelves

Shelf modules, supports, and side gates are constructed from durable, non-blackening, corrosion-resistant, austenitic alloy. Each section is welded and suitably reinforced and designed to allow free passage of steam.

Each shelf support pair accommodates three (39" [991 mm] car), four (49" [1245 mm] car), or five (61" [1549 mm] car) shelf modules, allowing for maximum flexibility of shelf placement. Modular shelves have flanged edges that securely rest on shelf supports.

To maximize productivity, shelf modules can be removed from upper shelf supports, allowing tall items to be placed on lower shelves.



Sterilizer Rack and Shelf Set

Loading Car and Transfer Carriage

(Typical – details may vary.)

Shelf supports and side gates are adjustable to five heights. Two layers of shelf modules, one fixed (bottom), and one adjustable, are furnished as standard. Additional shelves, supports, and side gates are available.

Transfer Carriage

Welded, tubular-steel frame with height-adjustable loading tracks on the top. Tubular construction assures ease in cleaning. The frame has a bent tubular handle and is supported by two fixed (front) and two swivel (rear) casters with neoprene, non-marking, easy-rolling tires. A revolving neoprene protective bumper, installed above each wheel, eliminates damage to vertical surfaces.

Features which improve operation and safety are:

- **Line-up sights** on top of loading car aid the operator in aligning the car to the sterilizer chamber.
- **Manually operated (spring-loaded) latch** connects the carriage to the sterilizer chamber bridge while the loading car is being placed into or removed from the chamber.
- **Second manually operated latch** secures the loading car to the transfer carriage while the load is being moved. All three latches are operated from the handle end of the transfer carriage.

The Selections Checked Below Apply To This Equipment

STERILIZER SIZE

- 26x26x39" (660x660x991 mm)
- 26x26x49" (660x660x1245 mm)
- 26x26x61" (660x660x1549 mm)

ACCESSORIES

- Rack and 2 Shelves
 - 26x26x39" (660x660x991 mm)
- Loading Car and Carriage
- Loading Car
- Carriage

ACCESSORIES (cont'd)

- Extra Shelf Layer (shelf modules and supports)
 - 39" (991 mm) Loading Car
 - 49" (1245 mm) Loading Car
 - 61" (1549 mm) Loading Car
 Qty: _____
- Extra Shelf Supports
 - 39" (991 mm) Loading Car
 - 49" (1245 mm) Loading Car
 - 61" (1549 mm) Loading Car
 Qty: _____

- Extra Side Gates
 - 39" (991 mm) Loading Car
 - 49" (1245 mm) Loading Car
 - 61" (1549 mm) Loading Car
 Qty: _____

Item _____

Location(s) _____

- **Storage system** for all shelving components. This system can be used when the car is not in use, or when rearranging and realigning the shelf configuration. Brackets are provided for storing extra shelf supports and side gates, and bottom rails are provided for storing extra shelf modules.

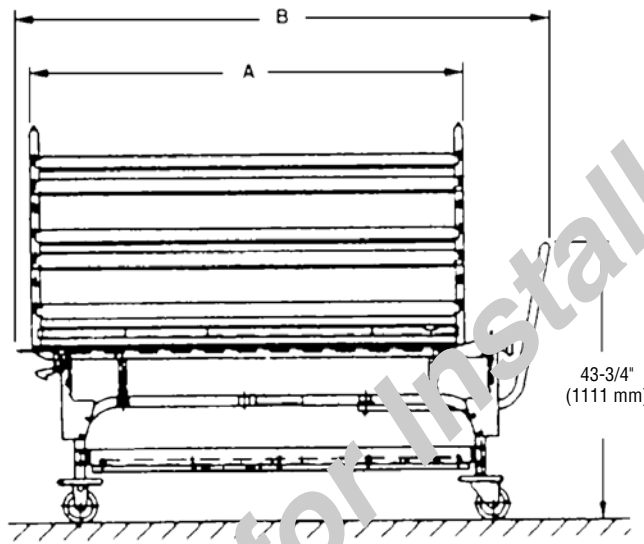
Carriage handle and tracks are stainless-steel; frame is painted for corrosion protection.

RACK AND SHELF SET

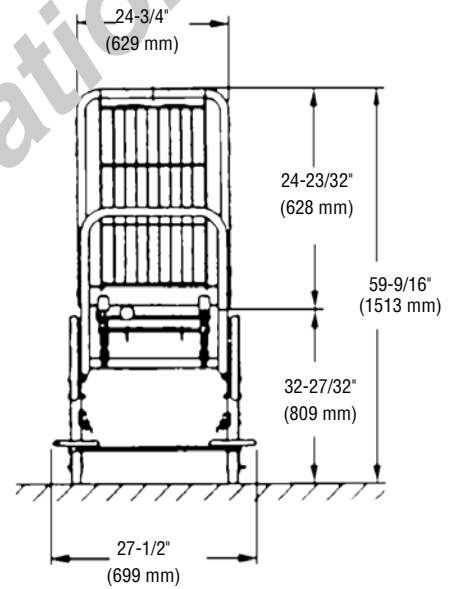
For 26 x 26 x 39" (660x660x 991 mm) sterilizers. Provides loading efficiency for a variety of mixed or single item loads. Two shelves are furnished as standard.

Rack and shelves are constructed from durable, non-blackening, corrosion-resistant, austenitic heat-resistant alloy. Angle guides support the shelves. Stops allow each shelf to be withdrawn approximately halfway. Each shelf is welded and suitably reinforced and designed to allow free passage of steam.

The base language of this document is ENGLISH. Any translation must be made from the base language document.



SIDE VIEW



END VIEW

STERILIZER SIZE	A	B	LOAD/SHELF	LOAD CAR
26 X 26 X 39" (660 X 660 X 991 mm)	35-1/4" (895 mm)	49-1/16" (1246 mm)	100 lb	200 lb
26 x 26 49" (660 x 660 x 1244 mm)	46-1/4" (1175 mm)	60-1/16" (1526 mm)	130 lb	260 lb
26 x 26 x 61" (660 x 660 x 1550 mm)	57-1/4" (1454 mm)	71-1/16" (1805 mm)	160 lb	320 lb

NOTE: Because of STERIS's continuing program of research and development, all specifications and descriptions are subject to change without notice. Obtain approved drawings for design, and installation.

For further information, contact:

 **STERIS**[®] STERIS Corporation
5960 Heisley Road
Mentor, OH 44060-1834 • USA
440-354-2600 • 800-548-4873
www.steris.com